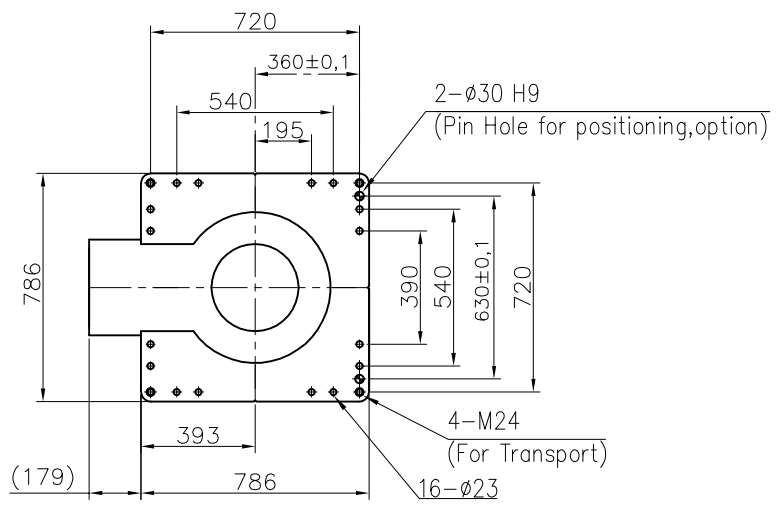
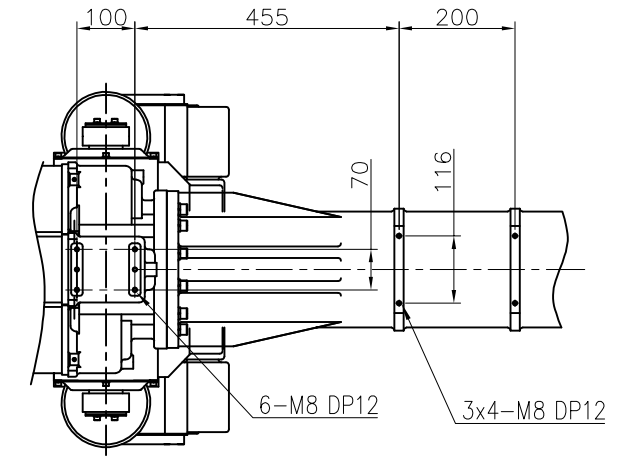


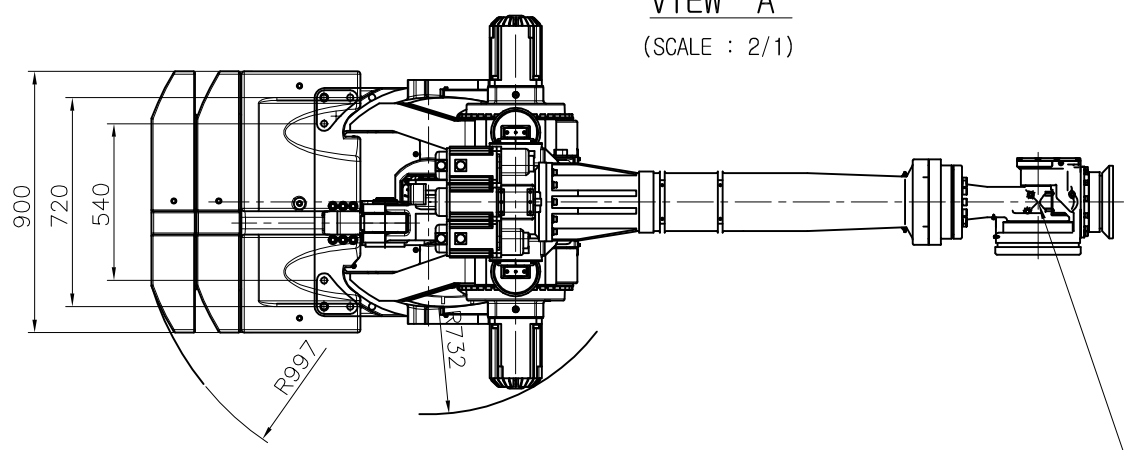
VIEW "A"
(SCALE : 2/1)



VIEW "B"
(SCALE : 1/1)

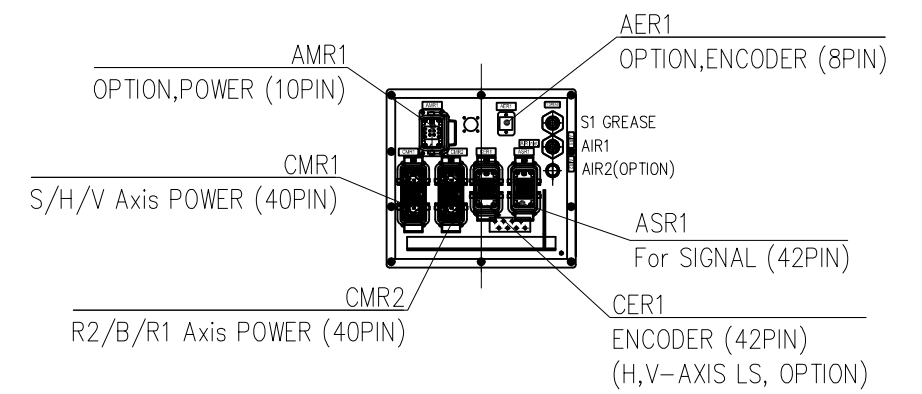


VIEW "E"
(SCALE : 2/1)

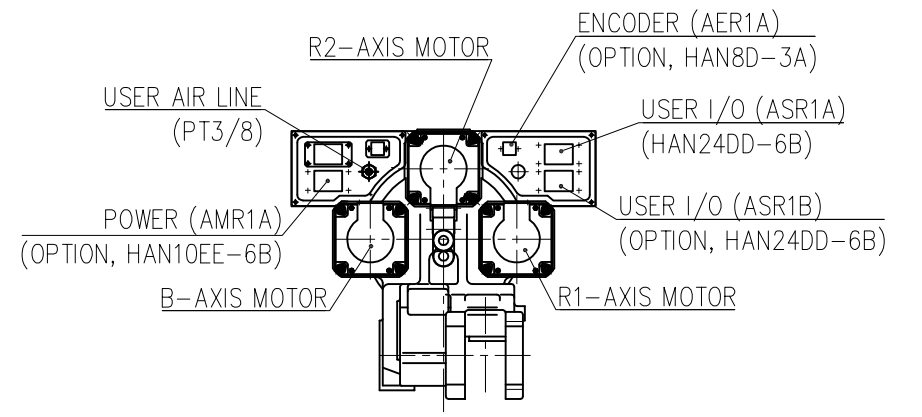
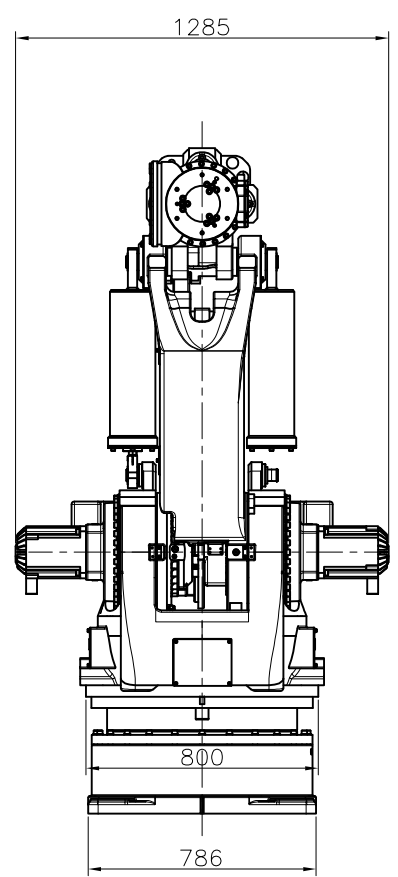
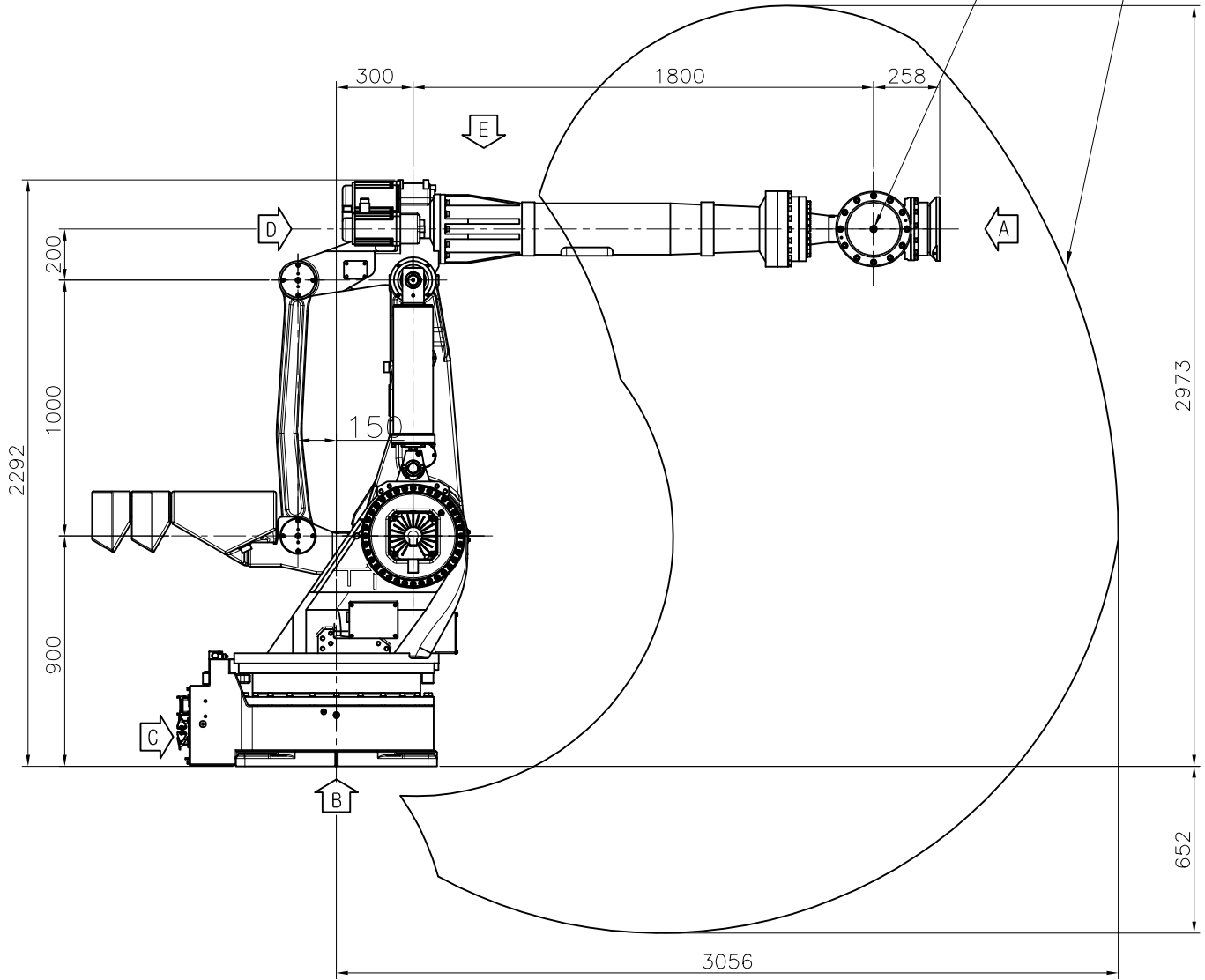


LOCUS of A

POINT A



VIEW "C" <For Hi5a Controller>
(SCALE : 2/1)



VIEW "D"
(SCALE : 2/1)

TECHNICAL SPECIFICATION SUBJECT TO CHANGE WITHOUT NOTICE

MODEL	HX400L	issue.0
DATE	2018.02.09	