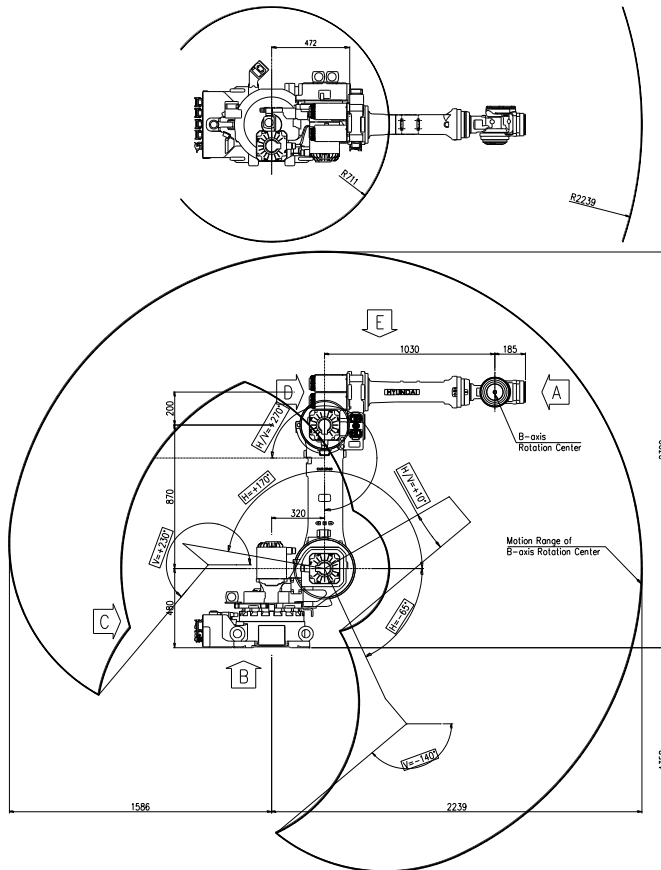


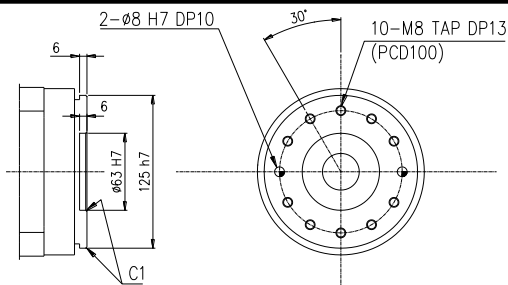
YS080

Payload 80Kgf

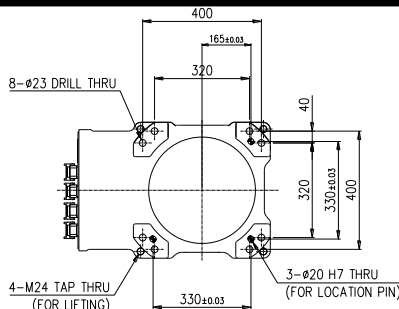
Installation method		Application	
Floor	●	Spot welding	●
Ceiling	●	Arc welding	●
Wall surface	●	Handling	●
		Assembly	●
		Sealing	●
		Painting	●



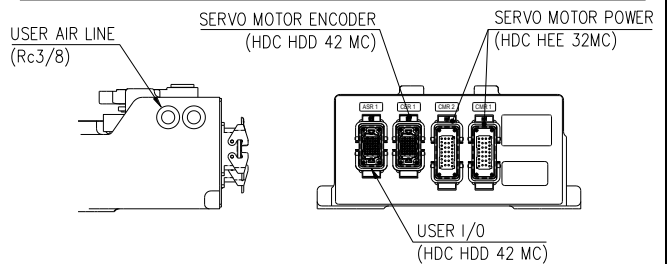
View A: Detailed drawing of the wrist attachment part



View B: Dimensional drawing for the floor installation of the body

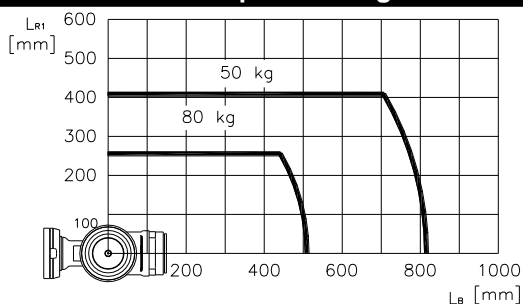


View C: Application cable connection part

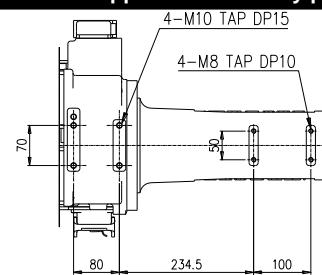


View D: Application cable connection part

Wrist-axis torque line diagram



View E: Details of the application ancillary part attachment



** For product improvement, some of the ratings, specifications, dimensions, etc. are subject to changes without notice.