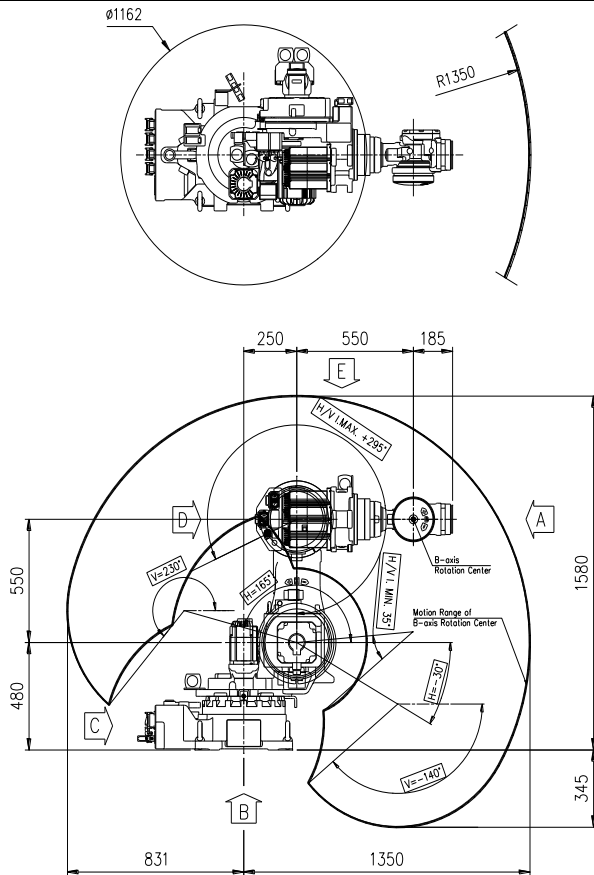


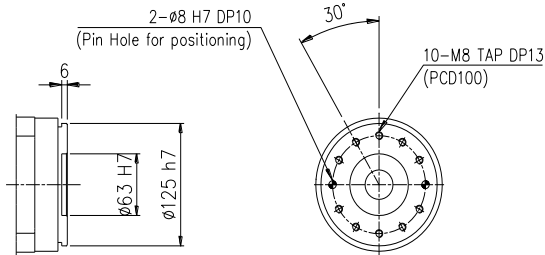
# YS140D

## Payload 140Kg

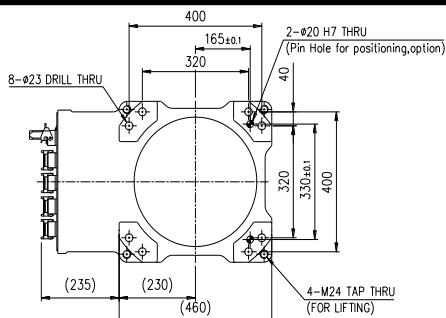
Installation method	Application
Floor	Spot welding ●
Ceiling	Arc welding ●
Wall surface	Handling ●
	Assembly ●
	Sealing ●
	Painting ●



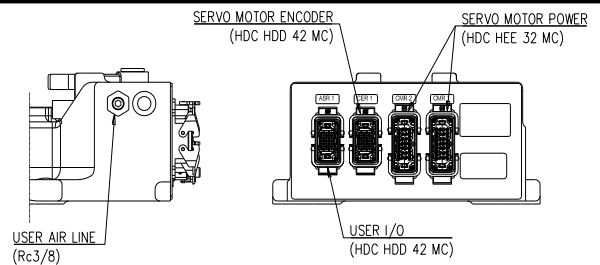
**View A: Detailed drawing of the wrist attachment part**



**View B: Dimensional drawing for the floor installation of the body**

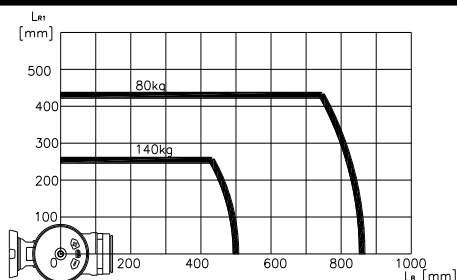


**View C: Application cable connection part**

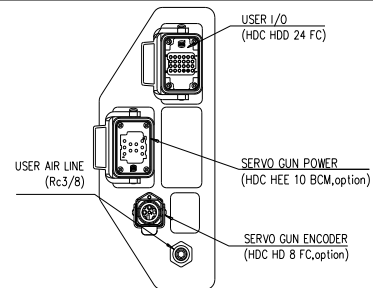


**View D: Application cable connection part**

### Wrist-axis torque line diagram



**View E: Details of the application ancillary part attachment**



**View E: Details of the application ancillary part attachment**

\*\* For product improvement, some of the ratings, specifications, dimensions, etc. are subject to changes without notice.